

Technical Service Bulletin			
Edition: Final V1	TSB#: 437 (ECR1779)	Issue date: March 02, 2023	Page 1 of 3

Title: Original Line Improvements

Old parts no longer used / New parts to be implemented:

OLD Part – no longer available:	NEW Part – now available:	For Machine Types:
1204015_Complete_1.8L water tank_REV06	15500011 Kit_Water_Tank+_Microswitch	Original Line
1204014_Microswitch_Holder	70500001_Microswitch_Holder	

Applies to machine types:

- Original Line

Implemented from first serial number:

- SN220810143750626

Change information:

There are 2 changes.

1. Water tank: Improvement to reinforce microswitch holder stability.
2. Microswitch holder: Update to screw fixation for the microswitch.

Backward compatibility:

The new part(s) are fully backward compatible with the previous version machines.
For the microswitch fixation with the new holder a screw and a washer are required.

Machines in the field:

For machines in the field, require no change.

Warranty information:

No warranty changes.

Spare part information:

The new part(s) will be the spare part(s) offered for all after sales services.

Technical Service Bulletin

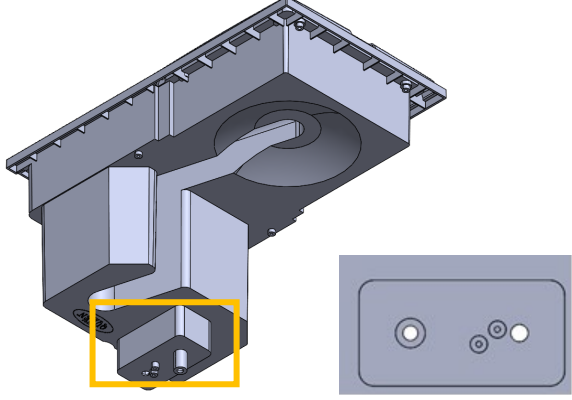
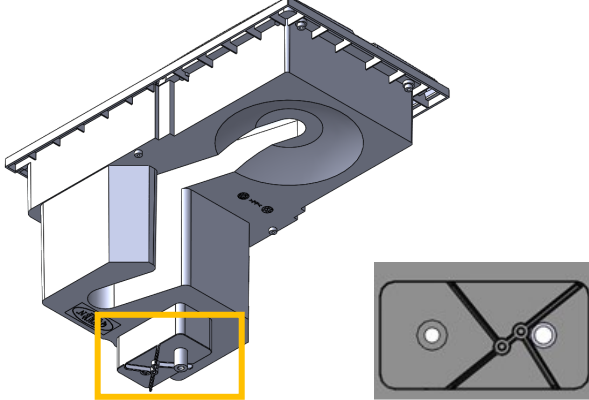
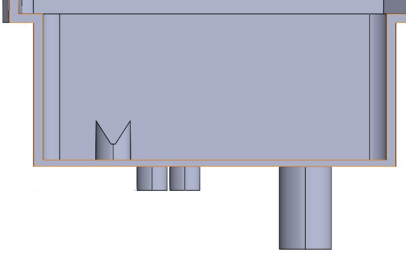
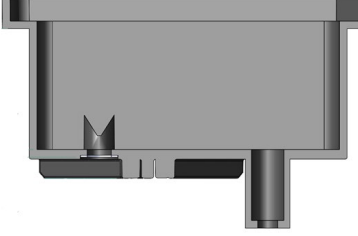
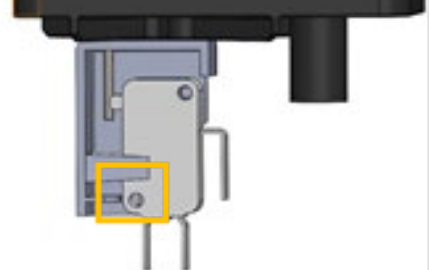
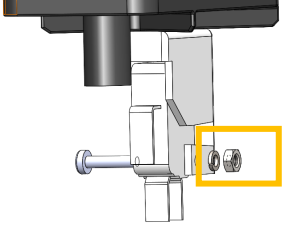
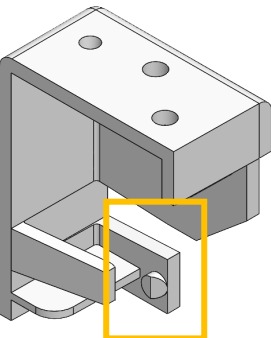
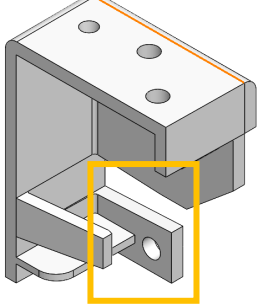
Edition: Final V1

TSB#: 437 (ECR1779)

Issue date: March 02, 2023

Page 2 of 3

Improvement descriptions:

Old Version: Water_Tank_1.8L	New Version: Water_Tank_1.8L
	
	
Old Version: PN1204014_Microswitch_Holder	New Version: PN70500001_MicroswitchHolder
	 <p data-bbox="965 1489 1252 1523">Add: Nut+bolt+grower</p>
	 <p data-bbox="1045 1859 1157 1892">Needed:</p> <ul data-bbox="949 1892 1332 1993" style="list-style-type: none"> - Hex nut_DIN934_A2_M3 - Spring_Washer_M3 - Screw_Allen_M3x20_DIN912

Technical Service Bulletin

Edition: Final V1

TSB#: 437 (ECR1779)

Issue date: March 02, 2023

Page 3 of 3

For spares only:

New Version: 15500011_Water_Tank+_Microswitch

